

SERIE CLIMA CLIMATE RANGE

- TTV ha desarrollado esta gama para ofrecer un producto adecuado para el competitivo mercado de la climatización y del riego, con las siguientes características:
- Garantía TTV: máxima responsabilidad y soporte postventa.
- Excepcional relación calidad-precio.
- Servicio inmediato: Amplia disponibilidad de stock

- TTV has developed this range to offer a product which is appropriate for the competitive conditioning and irrigation market. The product has the following features:
- TTV guarantee: full responsibility and after-sales service.
- Outstanding Quality/price relationship.
- immediate service: large stock availability.



SERIE INDUSTRIA INDUSTRY RANGE

Con la serie industria, TTV cubre cualquier necesidad de válvulas de mariposa, tanto en tamaños, materiales o normas internacionales de fabricación.

Gama de fabricación desde DN 40 hasta DN 2000. Diámetros superiores bajo petición del cliente.

Amplia disponibilidad de materiales de construcción. Desde fundiciones nodulares, aceros inoxidable, bronce a otras aleaciones especiales.

Diseños según cualquier norma internacional. Disponemos de las homologaciones más importantes de la industria y de forma habitual somos inspeccionados por las más prestigiosas empresas clasificadoras.

This range covers any need for butterfly valves: sizes, materials or international manufacturing standards.

Production range from DN 40 to DN 2000. Larger sizes available upon request.

Large availability of construction materials: nodular iron, stainless steel, bronze and other special alloys

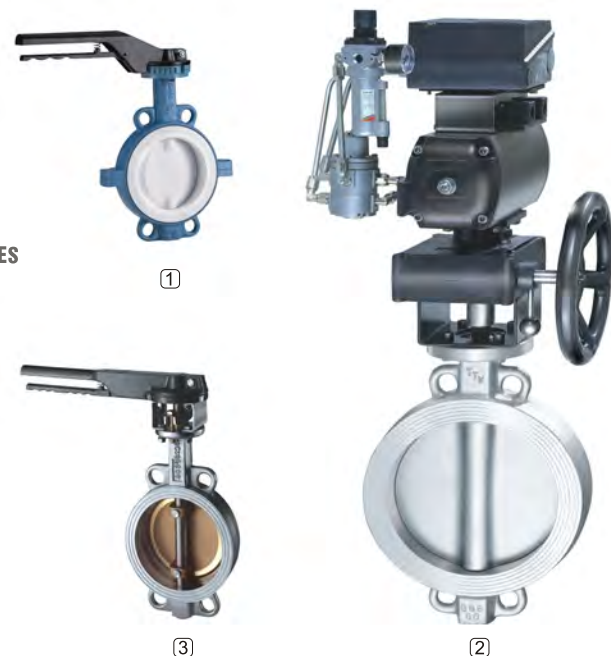
Designs according to any international standard. We have the most important industry certifications and are regularly audited by the most prestigious certification organizations.



1 VÁLVULA DE TEFLÓN TEFLON VALVE

Para servicios donde el empleo de elastómeros comunes es inadecuado TTV ofrece este diseño orientado especialmente a las industrias químicas, farmacéuticas, cosméticas y alimenticia.

For services in which standard elastomers cannot be used, TTV offers this design aimed especially at the chemical, pharmaceutical, cosmetic and food industries.



2 VÁLVULAS METAL-METAL ALTA TEMPERATURA HIGH-TEMPERATURE METAL-SEATED VALVES

Estas válvulas están diseñadas para trabajar a temperaturas donde el elastómero convencional no puede hacerlo.

Sirven para regular fluidos con temperaturas de servicio de -190°C a +850°C, con una pérdida estimada de 1,5 a 2%.

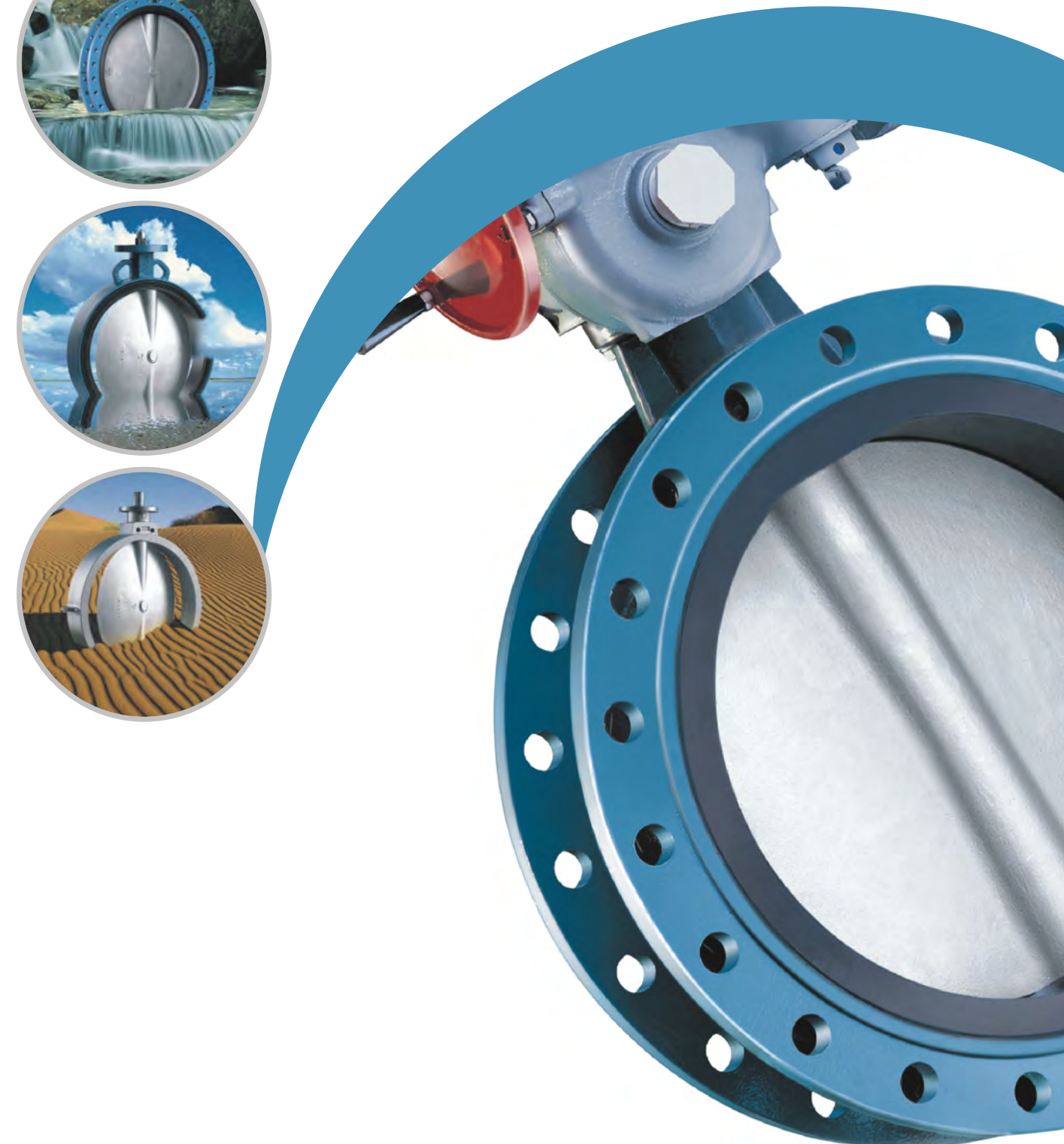
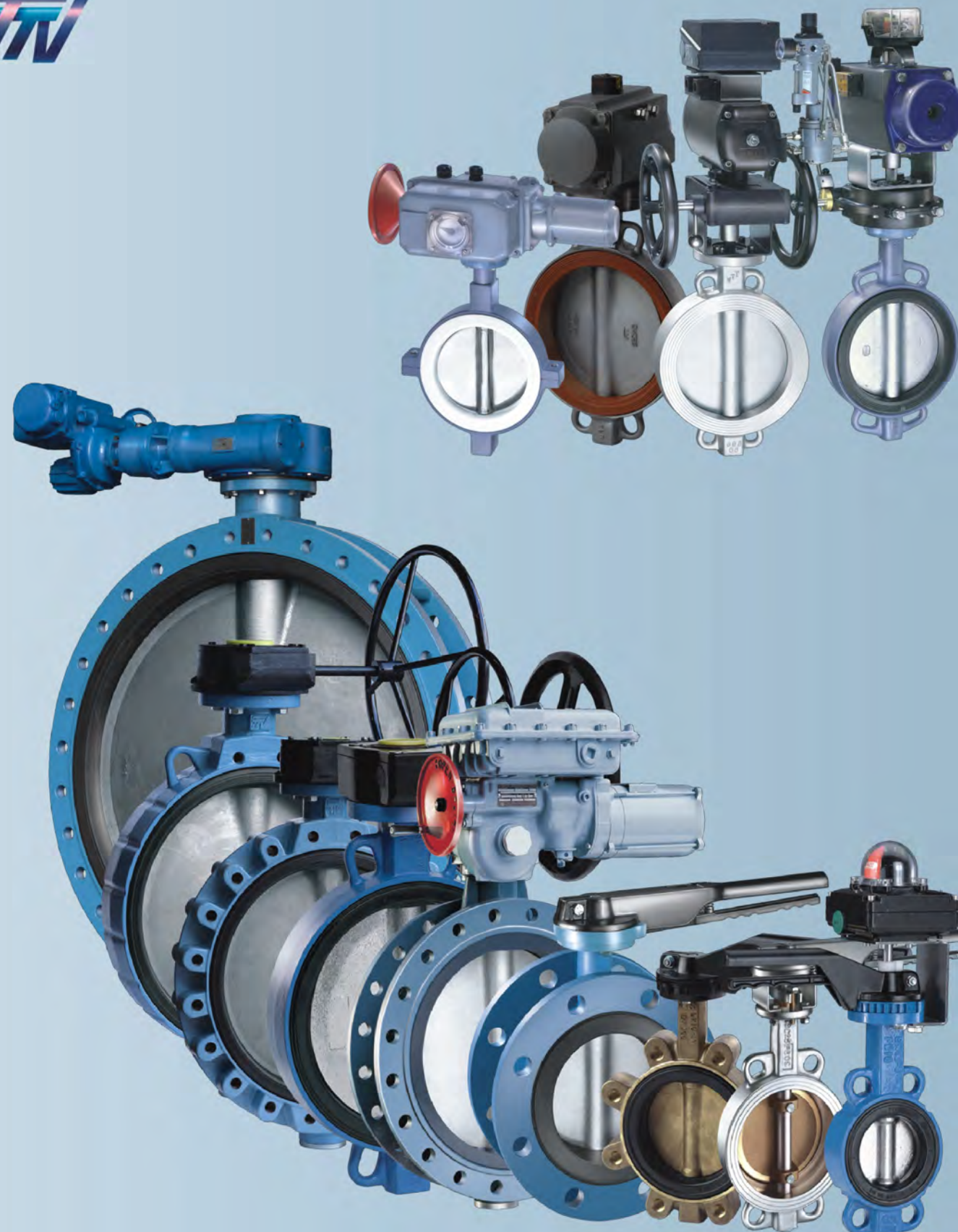
These valves are designed to operate in temperatures where conventional elastic rings cannot operate.

They are used to regulate fluids at working temperatures of -190°C to +850°C, with an estimated leakage of 1.5% - 2%.

3 VÁLVULA METAL-METAL ESTANCA LEAK-TIGHT METAL SEATED VALVE

Válvula de doble excentricidad, garantiza el cierre estanco por medio de un anillo metálico a temperaturas superiores que los elastómeros.

Double eccentricity valve, with a metal ring that makes them leak-tight at higher temperatures than when using an elastic ring.



VALVULAS DE MARIPOSA BUTTERFLY VALVES



FABRICA CENTRAL TTV ESPAÑA MAIN TTV PLANT SPAIN



FÁBRICA TTV SUDÁFRICA
TTV PLANT SOUTH AFRICA



FABRICA TTV MÉXICO
TTV PLANT MEXICO



La trayectoria de TTV desde que se fundó en 1982 ha sido siempre de continuo crecimiento. Salvando los obstáculos que nos impone la economía tanto a nivel nacional como internacional, gracias en gran medida a nuestro equipo humano (uno de los pilares fundamentales de nuestra empresa) y al continuo incremento de innovaciones técnicas en nuestros productos.

Las válvulas TTV cuentan hoy con gran aceptación en muchos países del mundo siendo un producto tecnológicamente avanzado y altamente competitivo.

TTV dispone de instalaciones en Madrid, y México así como delegaciones en Johannesburgo, Durban y Cape Town. La organización del negocio de TTV ha estado siempre basada en la exportación, lo que nos hace estar presentes en los cinco continentes: Alemania, Francia, reino Unido, Portugal, Dinamarca, Grecia, Turquía, noruega, Holanda, Polonia, Suecia, Suiza, Hungría, Bulgaria, Sudáfrica, Angola, Nueva Zelanda, Australia, Singapur, Corea del Sur, Argentina, Kuwait, Qatar, Dubai, China, Taiwan, Egipto, Brasil, Colombia, Filipinas, México, USA, Rusia, Lituania, Pakistán, Ucrania y Siria.

TTV was founded in 1982 and since then we have been growing continuously, overcoming the obstacles we have found in domestic and international markets. We have achieved this thanks to our staff, which is one of the cornerstones of our company, and also thanks to the continuous technical innovations of our products.

TTV valves are currently very successful in many countries all over the world, where companies require products that are technologically advanced and highly competitive.

TTV has international facilities in Madrid, and Mexico as well as branch offices in Johannesburg, Durban and Cape Town. TTV's business structure has always been based on exportation, which allows us to be present in the five continents: Germany, France, United Kingdom, Portugal, Denmark, Greece, Turkey, Norway, Holland, Poland, Sweden, Switzerland, Hungary, Bulgaria, South Africa, Angola, New Zealand, Australia, Singapore, South Korea, Argentina, Kuwait, Qatar, Dubai, China, Taiwan, Egypt, Brazil, Colombia, Philippines, Mexico, USA, Russia, Lithuania, Pakistan, Ukraine and Syria.



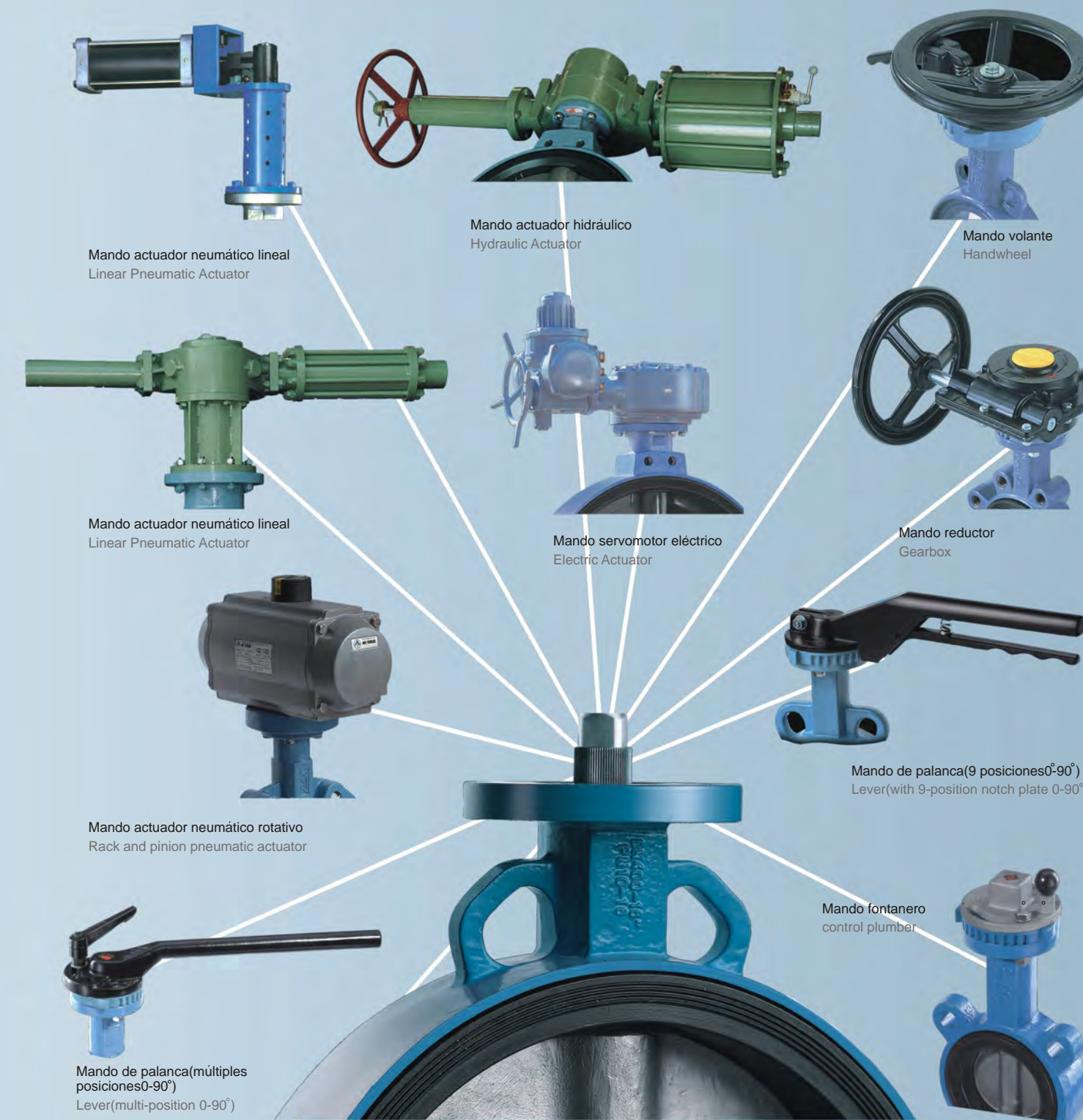
POLITICA DE CALIDAD QUALITY POLICY

TTV garantiza sus acabados durante un año, a partir de la fecha de entrega. En caso de reclamación, el comprador debe notificar a TTV el defecto observado, con toda clase de detalles, pero no debe devolver el fabricado hasta ser autorizado por escrito para ello. TTV atenderá pronta y debidamente cualquier reclamación justificada, pero no acepta responsabilidad alguna por daños y perjuicios, directos e indirectos, que puedan derivarse del defecto en cuestión.

Nuestra empresa ha sido inspeccionada por numerosas empresas clasificadoras, homologando nuestros productos en numerosos países del mundo.

TTV's products have a year's guarantee starting from the delivery date. If there are any complaints, the customer should inform us in detail about the defect, and should not send the product back until we authorise it in writing. TTV will promptly answer any complaints that are justified. However, we cannot accept responsibility for direct or indirect damages arising from any defect.

Our Company has been inspected by several inspection companies, certifying our products for deliveries to different countries of the world.



Mando servomotor eléctrico
Electric Actuator



DIFERENTES TIPOS DE ACOPLAMIENTO
1- SOPORTE ACOPLAMIENTO PARA ACTUADORES.
2- ALARGADERA PARA VÁLVULAS.
3- BRIDA ESPECIAL PARA ACT NEUMÁTICO.
4- CASQUILLO MACHO/HEMERA
5- CASQUILLO CUADRADO SUPLEMENTARIO
6- CASQUILLO ARRASTRE

DIFFERENT TYPES OF COUPLINGS
1- BRACKETS FOR ACTUATORS SUPPORT
2- STEM EXTENSIONS.
3- SPECIAL FLANGE FOR PNEUMATIC ACTUATORS.
4- MALE/FEMALE BUSHING
5- SUPPLEMENTARY SQUARE BUSHING
6- DRIVE BUSHING



VÁLVULA TIPO WAFER WAFER TYPE VALVE

Presión De Trabajo Working Pressure: 16BAR

Conexión Bridas Flange Connection: DIN2501-PN10/16-ANSI 150 LBS

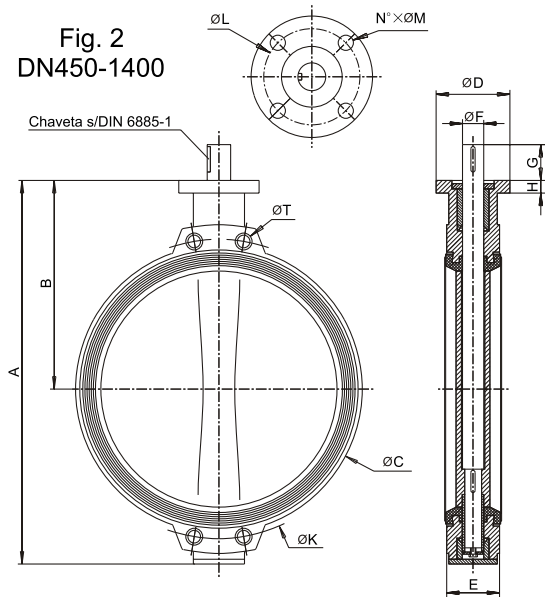
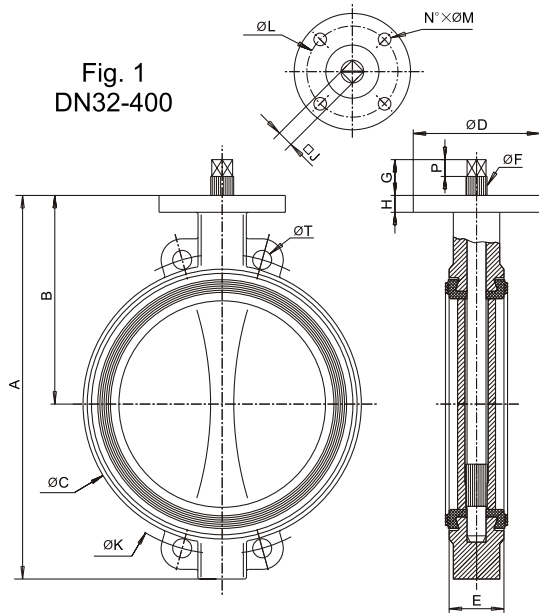
Distancia entre caras Face to Face: ISO 5752 Short, serie 20

BS5155 Wafer Short/Medium

DIN 3202 part 3, serie K1

Brida Cabeza Top Flange: ISO 5211





VÁLVULA TIPO WAFER WAFER TYPE VALVE

| DIMENSIONES DE LAS VALVULAS / VALVES DIMENSIONS | | | | | | | | | | | | | | PN 10 | | PN 16 | | ANSI150 | | |
|---|--------|------|------|------|-----|-----|------|-----|----|----|-----|------|----|----------------|--------|-------------------|--------|-------------------|-------|-------------------|
| DN | | A | B | C | D | E | F | G | H | J | L | N°xM | P | PESO WEIGHT | K | TALADROS HOLES | K | TALADROS HOLES | K | TALADROS HOLES |
| MM | " | | | | | | | | | | | | | | N° x T | N° x T | N° x T | | | |
| FIG. 1 DN32-400 | | | | | | | | | | | | | | | | | | | | |
| 32 | 1 1/4" | 205 | 140 | 82 | 88 | 33 | 10,5 | 30 | 24 | 8 | 70 | 4x9 | 17 | 2 | 100 | 4x18 | 100 | 4x18 | 88,9 | 4x16 |
| 40 | 1 1/2" | 205 | 140 | 82 | 88 | 33 | 10,5 | 30 | 24 | 8 | 70 | 4x9 | 17 | 2 | 110 | 4x18 | 110 | 4x18 | 98,5 | 4x16 |
| 50 | 2" | 228 | 156 | 103 | 88 | 43 | 10,5 | 30 | 24 | 8 | 70 | 4x9 | 17 | 3,5 | 125 | 4x18 | 125 | 4x18 | 120,6 | 4x19 |
| 65 | 2 1/2" | 248 | 161 | 117 | 88 | 46 | 14,5 | 30 | 24 | 9 | 70 | 4x9 | 17 | 4,5 | 145 | 4x18 | 145 | 4x18 | 139,7 | 4x19 |
| 80 | 3" | 256 | 169 | 134 | 88 | 46 | 16,5 | 30 | 24 | 11 | 70 | 4x9 | 17 | 5 | 160 | 4x18 | 160 | 4x18 | 152,4 | 4x19 |
| 100 | 4" | 298 | 187 | 153 | 88 | 52 | 16,5 | 30 | 24 | 11 | 70 | 4x9 | 17 | 6,5 | 180 | 4x18 | 180 | 4x18 | 190,5 | 4x19 |
| 125 | 5" | 331 | 206 | 182 | 105 | 56 | 18,5 | 30 | 24 | 14 | 70 | 4x9 | 17 | 8 | 210 | 4x18 | 210 | 4x18 | 215,9 | 4x23 |
| 150 | 6" | 349 | 215 | 209 | 105 | 56 | 18,5 | 30 | 24 | 14 | 70 | 4x9 | 17 | 9 | 240 | 4x23 | 240 | 4x23 | 241,3 | 4x23 |
| 200 | 8" | 430 | 255 | 270 | 105 | 60 | 22,5 | 30 | 24 | 17 | 70 | 4x9 | 17 | 15 | 295 | 4x23 | 295 | 4x23 | 298,5 | 4x23 |
| 250 | 10" | 461 | 248 | 320 | 150 | 68 | 25,5 | 40 | 20 | 19 | 102 | 4x11 | 20 | 21,5 | 350 | 4x23 | 355 | 4x27 | 362 | 4x26 |
| 300 | 12" | 524 | 280 | 374 | 150 | 78 | 30,5 | 40 | 20 | 22 | 102 | 4x11 | 20 | 30 | 400 | 4x23 | 410 | 4x27 | 431,8 | 4x26 |
| 350 | 14" | 570 | 300 | 426 | 170 | 78 | 30,5 | 40 | 20 | 22 | 140 | 4x18 | 20 | 39 | 460 | 4x23 | 470 | 4x27 | 476,3 | 4x29 |
| 400 | 16" | 644 | 340 | 486 | 170 | 102 | 35,5 | 40 | 20 | 27 | 140 | 4x18 | 20 | 52 | 515 | 4x27 | 525 | 4x30 | 539,8 | 4x29 |
| FIG. 2 DN450-1400 | | | | | | | | | | | | | | | | | | | | |
| 450 | 18" | 736 | 390 | 538 | 175 | 114 | 50 | 80 | 25 | - | 140 | 4x18 | - | 87 | 565 | 4xM24 | 585 | 4xM27 | 577,9 | 4 x1 1/8" |
| 500 | 20" | 825 | 440 | 593 | 175 | 127 | 50 | 80 | 25 | - | 140 | 4x18 | - | 117 | 620 | 4xM24 | 650 | 4xM30 | 635 | 4 x1 1/8" |
| 600 | 24" | 965 | 507 | 695 | 250 | 154 | 60 | 90 | 30 | - | 165 | 4x22 | - | 177 | 725 | 4xM27 | 770 | 4xM33 | 749,3 | 4 x1 1/4" |
| 700 | 28" | 1100 | 575 | 795 | 300 | 165 | 60 | 90 | 30 | - | 254 | 8x18 | - | 258 | 840 | 4xM27 | 840 | 4xM33 | 863 | 4 x1 1/4" |
| 750 | 30" | 1150 | 600 | 860 | 300 | 190 | 65 | 110 | 30 | - | 254 | 8x18 | - | 296 | 900 | 4xM30 | 900 | 4xM33 | 914 | 4 x1 1/4" |
| 800 | 32" | 1248 | 655 | 911 | 300 | 190 | 65 | 110 | 30 | - | 254 | 8x18 | - | 330 | 950 | 4xM30 | 950 | 4xM36 | 978 | 4 x1 1/2" |
| 900 | 36" | 1325 | 685 | 1010 | 300 | 203 | 80 | 110 | 30 | - | 254 | 8x18 | - | 505 | 1050 | 4xM30 | 1050 | 4xM36 | 1086 | 4 x1 1/2" |
| 1000 | 40" | 1457 | 754 | 1124 | 300 | 216 | 80 | 110 | 30 | - | 254 | 8x18 | - | 661 | 1160 | 4xM33 | 1170 | 4xM39 | 1200 | 4 x1 1/2" |
| 1100 | 44" | 1580 | 815 | 1220 | 300 | 216 | 80 | 110 | 30 | - | 254 | 8x18 | - | 840 | 1270 | 4xM33 | 1270 | 4xM39 | 1314 | 4 x1 1/2" |
| 1200 | 48" | 1721 | 873 | 1324 | 300 | 254 | 100 | 110 | 35 | - | 254 | 8x18 | - | 1020 | 1380 | 4xM36 | 1390 | 4xM45 | 1422 | 4 x1 1/2" |
| 1300 | 52" | 1910 | 1005 | 1460 | 350 | 360 | 120 | 120 | 35 | - | 298 | 8x22 | - | 1650 | - | - | - | - | 1537 | 4 x1 3/4" |
| 1400 | 56" | 1990 | 1025 | 1530 | 350 | 360 | 120 | 120 | 35 | - | 298 | 8x22 | - | 1900 | 1590 | 4xM39 | 1590 | 4xM45 | 1651 | 4 x1 3/4" |



VÁLVULA TIPO LUG LUG TYPE VALVE

Presion De Trabajo Working Pressure: 16BAR

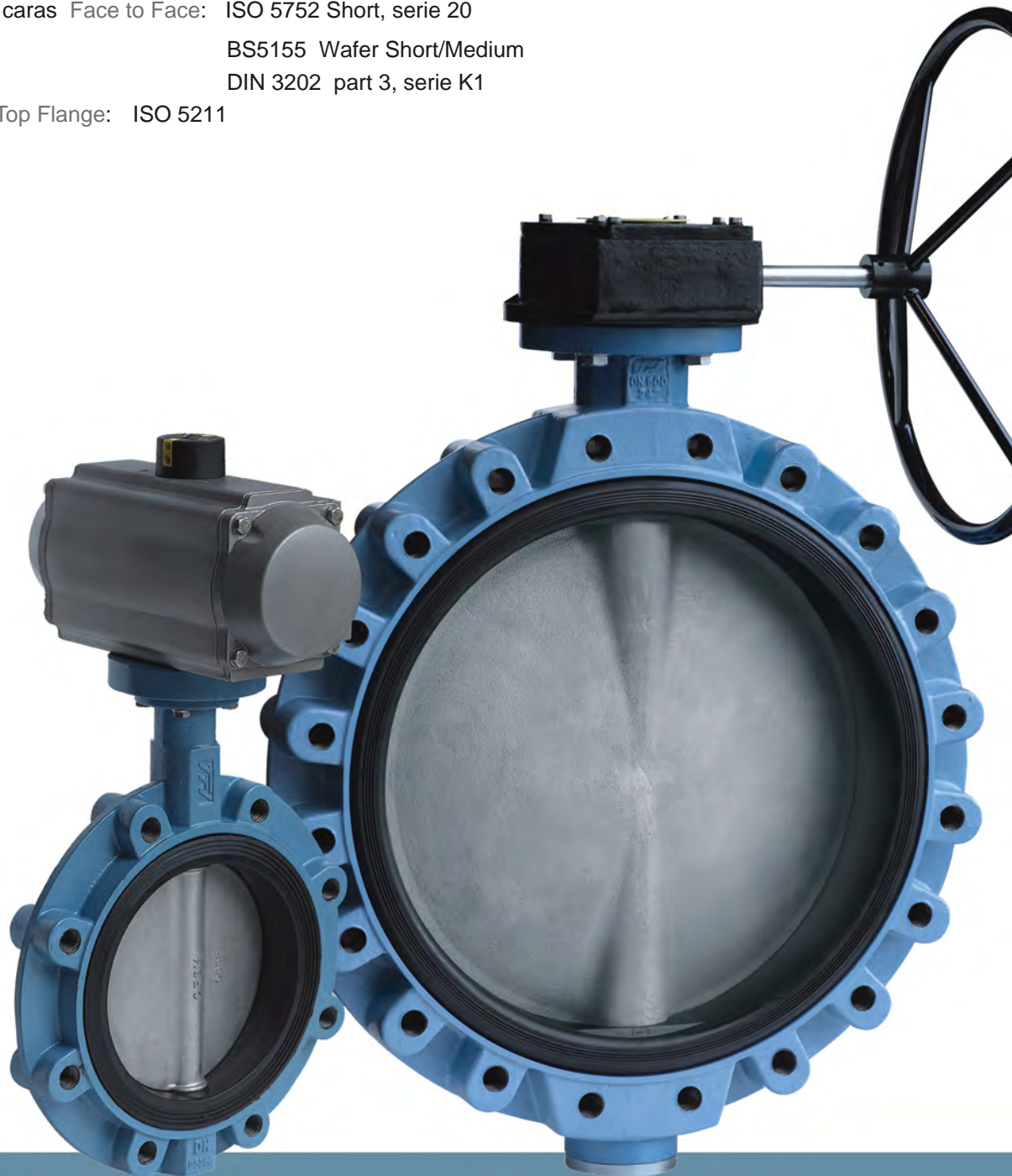
Conexion Bidas Flange Connection: DIN2501-PN10/16-ANSI 150 LBS

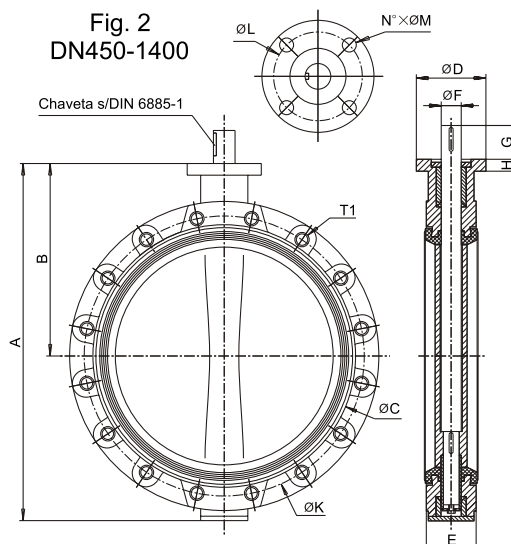
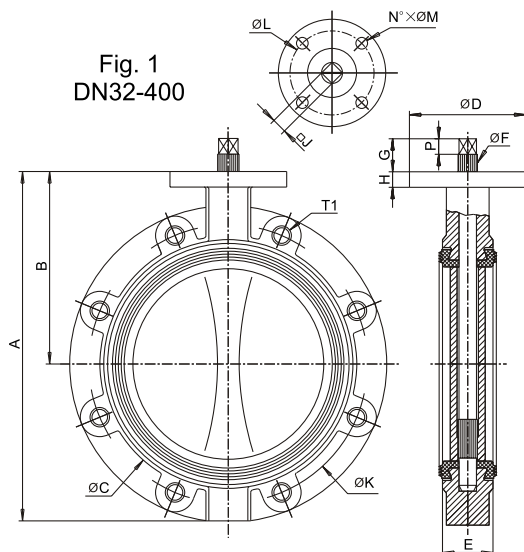
Distancia entre caras Face to Face: ISO 5752 Short, serie 20

BS5155 Wafer Short/Medium

DIN 3202 part 3, serie K1

Brida Cabeza Top Flange: ISO 5211





VÁLVULA TIPO LUG LUG TYPE VALVE

| DIMENSIONES DE LAS VALVULAS / VALVES DIMENSIONS | | | | | | | | | | | | | | PN 10 | | PN 16 | | ANSI150 | | |
|---|--------|------|------|------|-----|-----|------|-----|----|----|-----|------|----|----------------|------|--|------|--|-------|--|
| DN | | A | B | C | D | E | F | G | H | J | L | N°XM | P | PESO WEIGHT | K | TALADROS ROSCADOS THREADED HOLES N°xT1 | K | TALADROS ROSCADOS THREADED HOLES N°xT1 | K | TALADROS ROSCADOS THREADED HOLES N°xT1 |
| MM | " | | | | | | | | | | | | | | | | | | | |
| FIG. 1 DN32-400 | | | | | | | | | | | | | | | | | | | | |
| 32 | 1 1/4" | 206 | 140 | 83 | 88 | 33 | 10,5 | 30 | 24 | 8 | 70 | 4x9 | 17 | 3 | 100 | 4xM16 | 100 | 4xM16 | 88,9 | 4x1/2" |
| 40 | 1 1/2" | 206 | 140 | 83 | 88 | 33 | 10,5 | 30 | 24 | 8 | 70 | 4x9 | 17 | 3 | 110 | 4xM16 | 110 | 4xM16 | 98,5 | 4x1/2" |
| 50 | 2" | 226 | 156 | 100 | 88 | 43 | 10,5 | 30 | 24 | 8 | 70 | 4x9 | 17 | 3,5 | 125 | 4xM16 | 125 | 4xM16 | 120,6 | 4x5/8" |
| 65 | 2 1/2" | 246 | 161 | 117 | 88 | 46 | 14,5 | 30 | 24 | 9 | 70 | 4x9 | 17 | 4,5 | 145 | 4xM16 | 145 | 4xM16 | 139,7 | 4x5/8" |
| 80 | 3" | 259 | 169 | 134 | 88 | 46 | 16,5 | 30 | 24 | 11 | 70 | 4x9 | 17 | 6,5 | 160 | 8xM16 | 160 | 8xM16 | 152,4 | 4x5/8" |
| 100 | 4" | 295 | 187 | 155 | 88 | 52 | 16,5 | 30 | 24 | 11 | 70 | 4x9 | 17 | 8 | 180 | 8xM16 | 180 | 8xM16 | 190,5 | 8x5/8" |
| 125 | 5" | 325 | 206 | 181 | 105 | 56 | 18,5 | 30 | 24 | 14 | 70 | 4x9 | 17 | 11 | 210 | 8xM16 | 210 | 8xM16 | 215,9 | 8x3/4" |
| 150 | 6" | 352 | 215 | 209 | 105 | 56 | 18,5 | 30 | 24 | 14 | 70 | 4x9 | 17 | 12 | 240 | 8xM20 | 240 | 8xM20 | 241,3 | 8x3/4" |
| 200 | 8" | 422 | 255 | 267 | 105 | 60 | 22,5 | 30 | 24 | 17 | 70 | 4x9 | 17 | 18,5 | 295 | 8xM20 | 295 | 12xM20 | 298,5 | 8x3/4" |
| 250 | 10" | 460 | 248 | 324 | 150 | 68 | 25,5 | 40 | 20 | 19 | 102 | 4x11 | 20 | 28,5 | 350 | 12xM20 | 355 | 12xM24 | 362 | 12x7/8" |
| 300 | 12" | 523 | 280 | 373 | 150 | 78 | 30,5 | 40 | 20 | 22 | 102 | 4x11 | 20 | 42 | 400 | 12xM20 | 410 | 12xM24 | 431,8 | 12x7/8" |
| 350 | 14" | 570 | 300 | 425 | 170 | 78 | 30,5 | 40 | 20 | 22 | 140 | 4x18 | 20 | 53 | 460 | 16xM20 | 470 | 16xM24 | 476,3 | 12x1" |
| 400 | 16" | 644 | 340 | 480 | 170 | 102 | 35,5 | 40 | 20 | 27 | 140 | 4x18 | 20 | 77 | 515 | 16xM24 | 525 | 16xM27 | 539,8 | 16x1" |
| FIG. 2 DN450-1400 | | | | | | | | | | | | | | | | | | | | |
| 450 | 18" | 737 | 390 | 538 | 175 | 114 | 50 | 80 | 25 | - | 140 | 4x18 | - | 110 | 565 | 20xM24 | 585 | 20xM27 | 577,9 | 16x1 1/8" |
| 500 | 20" | 825 | 440 | 593 | 175 | 127 | 50 | 80 | 25 | - | 140 | 4x18 | - | 135 | 620 | 20xM24 | 650 | 20xM30 | 635 | 20x1 1/8" |
| 600 | 24" | 965 | 507 | 695 | 250 | 154 | 60 | 90 | 30 | - | 165 | 4x22 | - | 210 | 725 | 20xM27 | 770 | 20xM33 | 749,3 | 20x1 1/4" |
| 700 | 28" | 1100 | 575 | 795 | 300 | 165 | 60 | 90 | 30 | - | 254 | 8x18 | - | 290 | 840 | 24xM27 | 840 | 24xM33 | 863 | 28x1 1/4" |
| 750 | 30" | 1150 | 600 | 860 | 300 | 190 | 65 | 110 | 30 | - | 254 | 8x18 | - | 360 | 900 | 24xM30 | 900 | 24xM33 | 914 | 28x1 1/4" |
| 800 | 32" | 1248 | 655 | 911 | 300 | 190 | 65 | 110 | 30 | - | 254 | 8x18 | - | 450 | 950 | 24xM30 | 950 | 24xM36 | 978 | 28x1 1/2" |
| 900 | 36" | 1325 | 685 | 1010 | 300 | 203 | 80 | 110 | 30 | - | 254 | 8x18 | - | 550 | 1050 | 28xM30 | 1050 | 28xM36 | 1086 | 32x1 1/2" |
| 1000 | 40" | 1454 | 754 | 1124 | 300 | 216 | 80 | 110 | 30 | - | 254 | 8x18 | - | 760 | 1160 | 28xM33 | 1170 | 28xM39 | 1200 | 36x1 1/2" |
| 1100 | 44" | 1580 | 815 | 1225 | 300 | 216 | 80 | 110 | 30 | - | 254 | 8x18 | - | 1020 | 1270 | 32xM33 | 1270 | 32xM39 | 1314 | 40x1 1/2" |
| 1200 | 48" | 1720 | 873 | 1330 | 300 | 254 | 100 | 110 | 35 | - | 254 | 8x18 | - | 1460 | 1380 | 32xM36 | 1390 | 32xM45 | 1422 | 44x1 1/2" |
| 1300 | 52" | 1910 | 1005 | 1448 | 350 | 360 | 120 | 120 | 35 | - | 298 | 8x22 | - | 2330 | - | - | - | - | 1537 | 44x1 3/4" |
| 1400 | 56" | 1990 | 1025 | 1530 | 350 | 360 | 120 | 120 | 35 | - | 298 | 8x22 | - | 2450 | 1590 | 36xM39 | 1590 | 36xM45 | 1651 | 48x1 3/4" |

ООО «ТИ-СИСТЕМС» ИНЖИНИРИНГ И ПОСТАВКА ТЕХНОЛОГИЧЕСКОГО ОБОРУДОВАНИЯ

Интернет: www.tisis.ru www.tisis.kz www.tisis.by www.tesec.ru www.ti-sistemc.pf

Телефоны: +7 (495) 7774788, 7489626, (925) 5007155, 54, 65 Эл. почта: info@tisis.ru info@tisis.kz info@tisis.by



VÁLVULA CON BRIDAS FLANGE VALVE

Presion De Trabajo Working Pressure: 16BAR

Conexion Bidas Flange Connection: DIN2501-PN10/16-ANSI 150 LBS

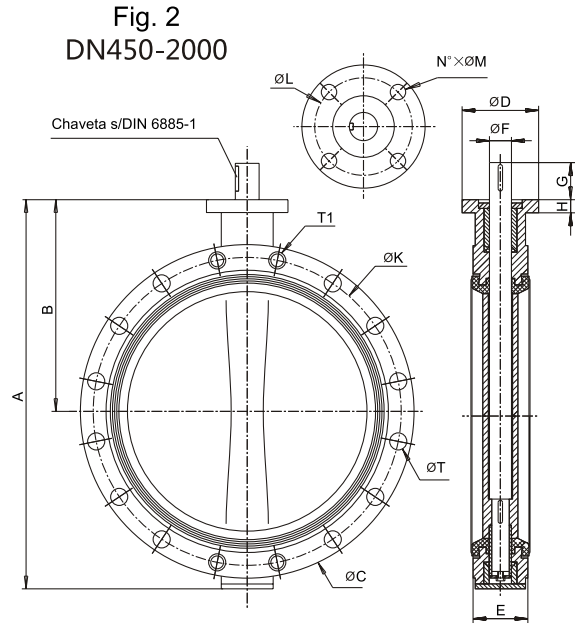
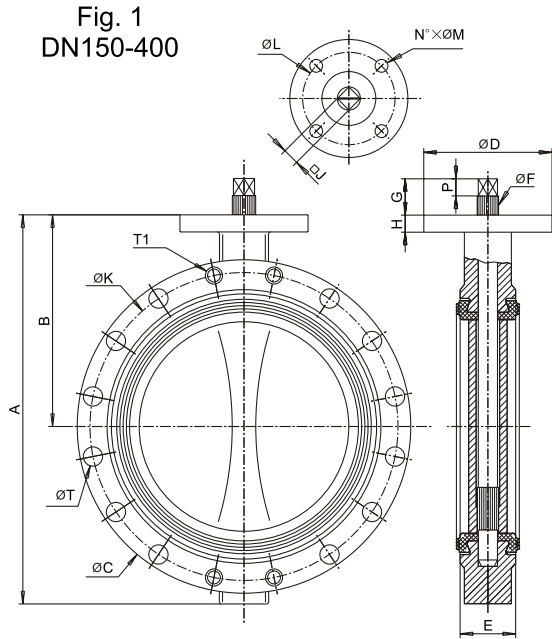
Distancia entre caras Face to Face: ISO 5752 Short, serie 20

BS5155 Wafer Short/Medium

DIN 3202 part 3, serie K1

Brida Cabeza Top Flange: ISO 5211





VÁLVULA CON BRIDAS FLANGE VALVE

| DIMENSIONES DE LAS VALVULAS VALVES DIMENSIONS | | | | | | | | | | | | | | PN 10 | | PN 16 | | ANSI150 | | | | | | |
|--|-----|------|------|------|-----|-----|------|-----|----|----|-----|------|----|--------|------|----------------|-------------------|---------|----------------|-------------------|-------|----------------|-------------------|--|
| DN | | A | B | C | D | E | F | G | H | J | L | N°xM | P | PESO | K | TALADROS LISOS | TALADROS ROSCADOS | K | TALADROS LISOS | TALADROS ROSCADOS | K | TALADROS LISOS | TALADROS ROSCADOS | |
| MM | " | | | | | | | | | | | | | WEIGHT | | HOLES | THREADED HOLES | | HOLES | THREADED HOLES | | HOLES | THREADED HOLES | |
| | | | | | | | | | | | | | | | | N°xT | N°xT1 | | N°xT | N°xT1 | | N°xT | N°xT1 | |
| FIG. 1 DN100-400 | | | | | | | | | | | | | | | | | | | | | | | | |
| 100 | 4" | 301 | 182 | 230 | 88 | 52 | 15,5 | 30 | 24 | 11 | 70 | 4x9 | 17 | 12 | 180 | 8x19 | - | 180 | 8x19 | - | 190,5 | 8x19 | - | |
| 125 | 5" | 337 | 207 | 260 | 105 | 56 | 18,5 | 30 | 24 | 14 | 70 | 4x9 | 17 | 16 | 210 | 8x19 | - | 210 | 8x19 | - | 216 | 8x23 | - | |
| 150 | 6" | 361 | 215 | 292 | 105 | 56 | 18,5 | 30 | 24 | 14 | 70 | 4x9 | 17 | 14 | 240 | 8x23 | - | 240 | 8x23 | - | 241,3 | 8x23 | - | |
| 200 | 8" | 435 | 255 | 360 | 105 | 60 | 22,5 | 30 | 24 | 17 | 70 | 4x9 | 17 | 22 | 295 | 8x23 | - | 295 | 12x23 | - | 298,5 | 8x23 | - | |
| 250 | 10" | 458 | 248 | 420 | 150 | 68 | 25,5 | 40 | 20 | 19 | 102 | 4x11 | 20 | 34 | 350 | 8x23 | 4xM20 | 355 | 8x27 | 4xM24 | 362 | 8x26 | 4x7/8" | |
| 300 | 12" | 521 | 280 | 482 | 150 | 78 | 30,5 | 40 | 20 | 22 | 102 | 4x11 | 20 | 48 | 400 | 8x23 | 4xM20 | 410 | 8x27 | 4xM24 | 431,8 | 8x26 | 4x7/8" | |
| 350 | 14" | 565 | 300 | 530 | 170 | 78 | 30,5 | 40 | 20 | 22 | 140 | 4x18 | 20 | 58 | 460 | 12x23 | 4xM20 | 470 | 12x27 | 4xM24 | 476,3 | 8x29 | 4x1" | |
| 400 | 16" | 645 | 340 | 600 | 170 | 102 | 35,5 | 40 | 20 | 27 | 140 | 4x18 | 20 | 81 | 515 | 12x27 | 4xM24 | 525 | 12x30 | 4xM27 | 539,8 | 12x29 | 4x1" | |
| FIG. 2 DN450-1400 | | | | | | | | | | | | | | | | | | | | | | | | |
| 450 | 18" | 736 | 390 | 635 | 175 | 114 | 50 | 80 | 25 | - | 140 | 4x18 | - | 118 | 565 | 16x27 | 4xM24 | 585 | 16x30 | 4xM27 | 577,9 | 12x32 | 4x1 1/8" | |
| 500 | 20" | 825 | 440 | 715 | 175 | 127 | 50 | 80 | 25 | - | 140 | 4x18 | - | 144 | 620 | 16x27 | 4xM24 | 650 | 16x33 | 4xM30 | 635 | 16x32 | 4x1 1/8" | |
| 600 | 24" | 965 | 507 | 830 | 250 | 154 | 60 | 90 | 30 | - | 165 | 4x22 | - | 220 | 725 | 16x30 | 4xM27 | 770 | 16x36 | 4xM33 | 749,3 | 16x36 | 4x1 1/4" | |
| 700 | 28" | 1100 | 575 | 910 | 300 | 165 | 60 | 90 | 30 | - | 254 | 8x18 | - | 300 | 840 | 20x30 | 4xM27 | 840 | 20x36 | 4xM33 | 863 | 24x36 | 4x1 1/4" | |
| 750 | 30" | 1150 | 600 | 985 | 300 | 190 | 65 | 110 | 30 | - | 254 | 8x18 | - | 370 | 900 | 20x33 | 4xM30 | 900 | 20x36 | 4xM33 | 914 | 24x36 | 4x1 1/4" | |
| 800 | 32" | 1248 | 655 | 1025 | 300 | 190 | 65 | 110 | 30 | - | 254 | 8x18 | - | 415 | 950 | 20x33 | 4xM30 | 950 | 20x39 | 4xM36 | 978 | 24x41 | 4x1 1/2" | |
| 900 | 36" | 1325 | 685 | 1125 | 300 | 203 | 80 | 110 | 30 | - | 254 | 8x18 | - | 565 | 1050 | 24x33 | 4xM30 | 1050 | 24x39 | 4xM36 | 1086 | 28x41 | 4x1 1/2" | |
| 1000 | 40" | 1457 | 754 | 1255 | 300 | 216 | 80 | 110 | 30 | - | 254 | 8x18 | - | 775 | 1160 | 24x36 | 4xM33 | 1170 | 24x42 | 4xM39 | 1200 | 32x41 | 4x1 1/2" | |
| 1100 | 44" | 1580 | 815 | 1360 | 300 | 216 | 80 | 110 | 30 | - | 254 | 8x18 | - | 990 | 1270 | 28x36 | 4xM33 | 1270 | 28x42 | 4xM39 | 1314 | 36x41 | 4x1 1/2" | |
| 1200 | 48" | 1721 | 873 | 1532 | 300 | 254 | 100 | 110 | 35 | - | 254 | 8x18 | - | 1350 | 1380 | 28x39 | 4xM36 | 1390 | 28x48 | 4xM45 | 1422 | 40x41 | 4x1 1/2" | |
| 1300 | 52" | 1910 | 1005 | 1660 | 350 | 360 | 120 | 120 | 35 | - | 298 | 8x22 | - | 2100 | - | - | - | - | - | - | 1537 | 40x48 | 4x1 3/4" | |
| 1400 | 56" | 1990 | 1025 | 1780 | 350 | 360 | 120 | 130 | 35 | - | 298 | 8x22 | - | 2450 | 1590 | 32x42 | 4xM39 | 1590 | 32x48 | 4xM45 | 1651 | 44x48 | 4x1 3/4" | |
| 1600 | 64" | 2320 | 1190 | 1990 | 415 | 360 | 150 | 170 | 40 | - | 356 | 8x32 | - | 2650 | 1820 | 36x48 | 4xM45 | 1820 | 36x56 | 4xM52 | 1880 | 44x51 | 8x1 7/8" | |
| 1800 | 72" | 2525 | 1310 | 2230 | 415 | 360 | 150 | 170 | 45 | - | 356 | 8x32 | - | 3100 | 2020 | 36x48 | 8xM45 | 2020 | 36x56 | 8xM52 | 2096 | 52x51 | 8x1 7/8" | |
| 2000 | 80" | 2680 | 1360 | 2455 | 415 | 360 | 150 | 170 | 45 | - | 356 | 8x32 | - | 3650 | 2230 | 40x48 | 8xM45 | 2230 | 40x62 | 8xM56 | 2311 | 52x54 | 8x2" | |

ООО «ТИ-СИСТЕМС» ИНЖИНИРИНГ И ПОСТАВКА ТЕХНОЛОГИЧЕСКОГО ОБОРУДОВАНИЯ

Интернет: www.tisis.ru www.tisis.kz www.tisis.by www.tesec.ru www.ti-sistemc.pf

Телефоны: +7 (495) 7774788, 7489626, (925) 5007155, 54, 65 Эл. почта: info@tisis.ru info@tisis.kz info@tisis.by



VÁLVULA DE DOBLE BRIDAS DOUBLE FLANGED VALVE

Presion De Trabajo Working Pressure: 16BAR

Conexion Bidas Flange Connection: DIN2501-PN10/16-ANSI 150 LBS

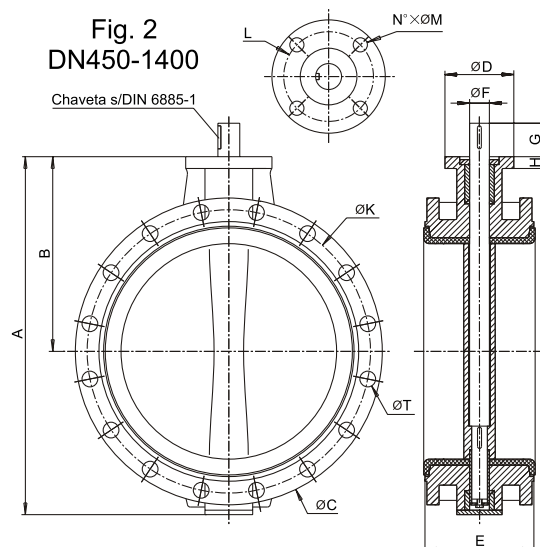
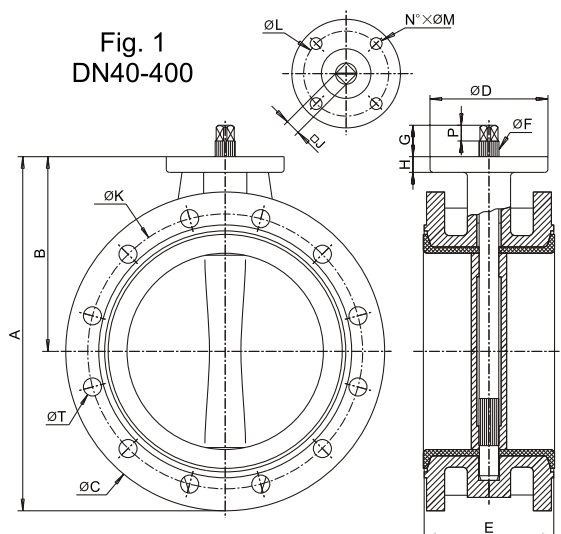
Distancia entre caras Face to Face: ISO 5752 Short, serie 13

BS5155 Double FL.short

DIN 3202 F16

Brida Cabeza Top Flange: ISO 5211





VÁLVULA DE DOBLE BRIDAS DOUBLE FLANGED VALVE

| DIMENSIONES DE LAS VALVULAS VALVES DIMENSIONS | | | | | | | | | | | | | | PN 10 | | PN 16 | | ANSI150 | | |
|--|--------|------|------|------|-----|-----|------|-----|----|----|-----|------|----|----------------|--------|-------------------|--------|-------------------|-------|-------------------|
| DN | | A | B | C | D | E | F | G | H | J | L | N°XM | P | PESO WEIGHT | K | TALADROS HOLES | K | TALADROS HOLES | K | TALADROS HOLES |
| MM | " | | | | | | | | | | | | | | N° x T | N° x T | N° x T | | | |
| FIG. 1 DN40-400 | | | | | | | | | | | | | | | | | | | | |
| 40 | 1 1/2" | 215 | 140 | 150 | 88 | 106 | 10,5 | 30 | 24 | 8 | 70 | 4x9 | 17 | 7,6 | 110 | 4x19 | 110 | 4x19 | 98,5 | 4x16 |
| 50 | 2" | 239 | 156 | 165 | 88 | 108 | 10,5 | 30 | 24 | 8 | 70 | 4x9 | 17 | 8 | 125 | 4x19 | 125 | 4x19 | 120,6 | 4x19 |
| 65 | 2 1/2" | 253 | 160 | 185 | 88 | 112 | 14,5 | 30 | 24 | 9 | 70 | 4x9 | 17 | 8,5 | 145 | 4x19 | 145 | 4x19 | 139,7 | 4x19 |
| 80 | 3" | 268 | 168 | 200 | 88 | 114 | 16,5 | 30 | 24 | 11 | 70 | 4x9 | 17 | 10,5 | 160 | 8x19 | 160 | 8x19 | 152,4 | 4x19 |
| 100 | 4" | 300 | 185 | 230 | 88 | 127 | 16,5 | 30 | 24 | 11 | 70 | 4x9 | 17 | 12 | 180 | 8x19 | 180 | 8x19 | 190,5 | 8x19 |
| 125 | 5" | 335 | 207 | 255 | 105 | 140 | 18,5 | 30 | 24 | 14 | 70 | 4x9 | 17 | 16 | 210 | 8x19 | 210 | 8x19 | 215,9 | 8x23 |
| 150 | 6" | 358 | 215 | 285 | 105 | 140 | 18,5 | 30 | 24 | 14 | 70 | 4x9 | 17 | 22 | 240 | 8x23 | 240 | 8x23 | 241,3 | 8x23 |
| 200 | 8" | 425 | 256 | 337 | 105 | 152 | 22,5 | 30 | 24 | 17 | 70 | 4x9 | 17 | 30 | 295 | 8x23 | 295 | 12x23 | 298,5 | 8x23 |
| 250 | 10" | 452 | 251 | 402 | 150 | 165 | 25,5 | 40 | 20 | 19 | 102 | 4x11 | 20 | 47 | 350 | 12x23 | 355 | 12x27 | 362 | 12x26 |
| 300 | 12" | 523 | 280 | 485 | 150 | 178 | 30,5 | 40 | 20 | 22 | 102 | 4x11 | 20 | 62 | 400 | 12x23 | 410 | 12x27 | 431,8 | 12x26 |
| 350 | 14" | 569 | 304 | 530 | 170 | 190 | 30,5 | 40 | 20 | 22 | 140 | 4x18 | 20 | 90 | 460 | 16x23 | 470 | 16x27 | 476,3 | 12x29 |
| 400 | 16" | 643 | 340 | 606 | 170 | 216 | 35,5 | 40 | 20 | 27 | 140 | 4x18 | 20 | 123 | 515 | 16x27 | 525 | 16x30 | 539,8 | 16x29 |
| FIG. 2 DN450-1400 | | | | | | | | | | | | | | | | | | | | |
| 450 | 18" | 736 | 390 | 649 | 175 | 222 | 50 | 80 | 25 | - | 140 | 4x18 | - | 142 | 565 | 20x27 | 585 | 20x30 | 577,9 | 16x32 |
| 500 | 20" | 825 | 440 | 710 | 175 | 229 | 50 | 80 | 25 | - | 140 | 4x18 | - | 190 | 620 | 20x27 | 650 | 20x33 | 635 | 20x32 |
| 600 | 24" | 965 | 507 | 844 | 250 | 267 | 60 | 90 | 30 | - | 165 | 4x22 | - | 285 | 725 | 20x30 | 770 | 20x36 | 749,3 | 20x36 |
| 700 | 28" | 1100 | 575 | 930 | 300 | 292 | 60 | 90 | 30 | - | 254 | 8x18 | - | 390 | 840 | 24x30 | 840 | 24x36 | 863 | 28x36 |
| 800 | 32" | 1248 | 655 | 1080 | 300 | 318 | 65 | 110 | 30 | - | 254 | 8x18 | - | 480 | 950 | 24x33 | 950 | 24x39 | 978 | 28x41 |
| 900 | 36" | 1325 | 685 | 1170 | 300 | 330 | 80 | 110 | 30 | - | 254 | 8x18 | - | 650 | 1050 | 28x33 | 1050 | 28x39 | 1086 | 32x41 |
| 1000 | 40" | 1457 | 754 | 1300 | 300 | 410 | 80 | 110 | 30 | - | 254 | 8x18 | - | 920 | 1160 | 28x36 | 1170 | 28x42 | 1200 | 36x41 |
| 1200 | 48" | 1721 | 873 | 1495 | 300 | 470 | 100 | 110 | 35 | - | 254 | 8x18 | - | 2000 | 1380 | 32x39 | 1390 | 32x48 | 1422 | 44x41 |
| 1400 | 56" | 1990 | 1025 | 1755 | 350 | 530 | 120 | 120 | 35 | - | 298 | 8x22 | - | 2700 | 1590 | 36x42 | 1590 | 36x48 | 1651 | 48x48 |



VÁLVULA ALTAS PRESTACIONES VALVULA METAL-METAL ESTANCA
HIGH PERFORMANCE VALVE LEAK-TIGHT METAL SEATED VALVE

Presion De Trabajo Working Pressure: 16BAR

Conexion Bidas Flange Connection: DIN2501-PN10/16-ANSI 150 LBS

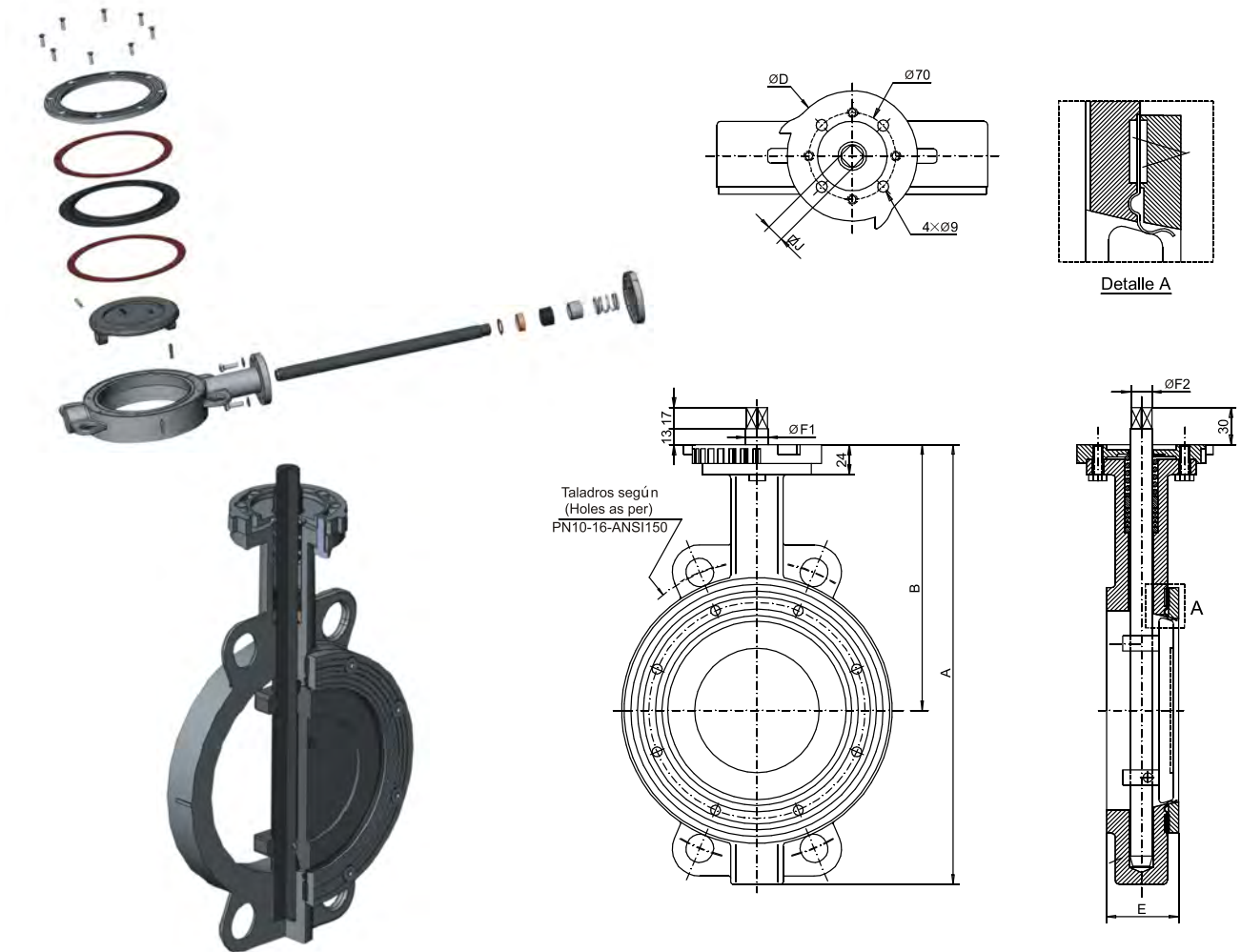
Distancia entre caras Face to Face: ISO 5752 Short, serie 20

BS5155 Wafer Short/Medium

DIN 3202 part 3, serie K1

Brida Cabeza Top Flange: ISO 5211





VÁLVULA METAL-METAL ESTANCA LEAK-TIGHT METAL SEATED VALVE

| DIMENSIONES DE LAS VALVULAS VALVES DIMENSIONS | | | | | | | | | | PN 10 | | PN 16 | | ANSI150 | | |
|--|--------|-----|-----|-----------------|----|------------------|------------------|----|------|----------------|--------|----------|-----|----------|-------|----------|
| DN | | A | B | $\varnothing D$ | E | $\varnothing F1$ | $\varnothing F2$ | J | NºXM | PESO WEIGHT | K | TALADROS | K | TALADROS | K | TALADROS |
| MM | " | | | | | | | | | | | HOLES | | HOLES | | HOLES |
| | | | | | | | | | | | Nº x T | | | Nº x T | | |
| FIG. 1 DN50-200 | | | | | | | | | | | | | | | | |
| 50 | 2" | 225 | 156 | 88 | 43 | 11 | 9.5 | 8 | 4x9 | 3.3 | 125 | 4x18 | 125 | 4x18 | 120,6 | 4x19 |
| 65 | 2 1/2" | 242 | 161 | 88 | 46 | 15 | 12 | 9 | 4x9 | 4.4 | 145 | 4x18 | 145 | 4x18 | 139,7 | 4x19 |
| 80 | 3" | 259 | 160 | 88 | 50 | 18 | 17 | 14 | 4x9 | 5.35 | 160 | 4x18 | 160 | 4x18 | 152,4 | 4x19 |
| 100 | 4" | 288 | 181 | 88 | 54 | 18 | 17 | 14 | 4x9 | 7.3 | 180 | 4x18 | 180 | 4x18 | 190,5 | 4x19 |
| 125 | 5" | 327 | 206 | 105 | 56 | 22 | 21 | 17 | 4x9 | 9.9 | 210 | 4x18 | 210 | 4x18 | 215,9 | 4x23 |
| 150 | 6" | 348 | 215 | 105 | 56 | 22 | 21 | 17 | 4x9 | 10.8 | 240 | 4x23 | 240 | 4x23 | 241,3 | 4x23 |
| 200 | 8" | 430 | 249 | 105 | 60 | 30 | 26.5 | 22 | 4x9 | 22.7 | 295 | 4x23 | 295 | 4x23 | 298,5 | 4x23 |

ООО «ТИ-СИСТЕМС» ИНЖИНИРИНГ И ПОСТАВКА ТЕХНОЛОГИЧЕСКОГО ОБОРУДОВАНИЯ

Интернет: www.tisis.ru www.tisis.kz www.tisis.by www.tesec.ru www.ти-системс.рф

Телефоны: +7 (495) 7774788, 7489626, (925) 5007155, 54, 65 Эл. почта: info@tisis.ru info@tisis.kz info@tisis.by



VÁLVULA ALTAS PRESTACIONES PTFE-PTFE CUERPO PARTIDO
HIGH PERFORMANCE VALVE PTFE-PTFE TWO PIECES BODY

Presion De Trabajo Working Pressure: 16BAR

Conexion Bridas Flange Connection: DIN2501-PN10/16-ANSI 150LBS

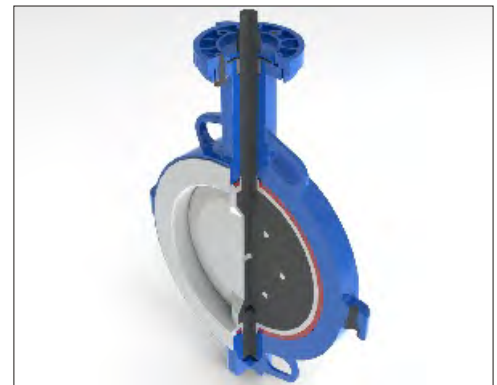
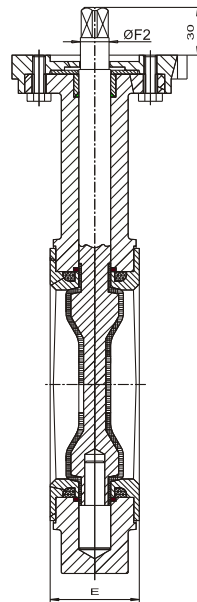
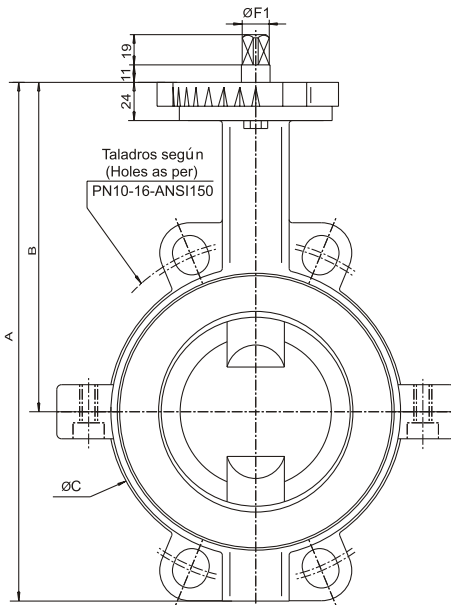
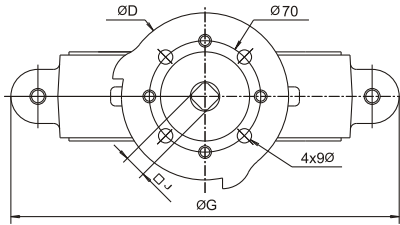
Distancia entre caras Face to Face: ISO 5752 Short, serie 20

BS5155 Wafer Short/Medium

DIN 3202 part 3, serie K1

Brida Cabeza Top Flange: ISO 5211





PTFE-PTFE CUERPO PARTIDO PTFE-PTFE TWO PIECES BODY

| DIMENSIONES DE LAS VALVULAS VALVES DIMENSIONS | | | | | | | | | | | | | PN 10 | | PN 16 | | ANSI150 | |
|--|--------|-----|-----|-----|-----|----|-----|----|-----|----|------|----------------|--------|----------|-------|----------|---------|----------|
| DN | | A | B | C | D | E | F1 | F2 | G | J | N°XM | PESO WEIGHT | K | TALADROS | K | TALADROS | K | TALADROS |
| MM | " | | | | | | | | | | | | | HOLES | | HOLES | | HOLES |
| | | | | | | | | | | | | | N° x T | | | N° x T | | |
| FIG. 1 DN40-200 | | | | | | | | | | | | | | | | | | |
| 40 | 1 1/2" | 205 | 140 | 83 | 88 | 33 | 9.5 | 10 | 154 | 8 | 4x9 | 2.5 | 110 | 4x18 | 110 | 4x18 | 98,5 | 4x16 |
| 50 | 2" | 226 | 156 | 103 | 88 | 43 | 9.5 | 10 | 172 | 8 | 4x9 | 4 | 125 | 4x18 | 125 | 4x18 | 120,6 | 4x19 |
| 65 | 2 1/2" | 242 | 161 | 117 | 88 | 46 | 12 | 14 | 178 | 9 | 4x9 | 4.5 | 145 | 4x18 | 145 | 4x18 | 139,7 | 4x19 |
| 80 | 3" | 262 | 167 | 134 | 88 | 46 | 14 | 16 | 190 | 11 | 4x9 | 5 | 160 | 4x18 | 160 | 4x18 | 152,4 | 4x19 |
| 100 | 4" | 290 | 184 | 150 | 88 | 52 | 14 | 16 | 207 | 11 | 4x9 | 6.5 | 180 | 4x18 | 180 | 4x18 | 190,5 | 4x19 |
| 125 | 5" | 326 | 207 | 185 | 105 | 56 | 17 | 18 | 250 | 14 | 4x9 | 9.5 | 210 | 4x18 | 210 | 4x18 | 215,9 | 4x23 |
| 150 | 6" | 348 | 215 | 205 | 105 | 56 | 17 | 18 | 270 | 14 | 4x9 | 10.5 | 240 | 4x23 | 240 | 4x23 | 241,3 | 4x23 |
| 200 | 8" | 438 | 257 | 270 | 105 | 60 | 21 | 22 | 340 | 17 | 4x9 | 17.5 | 295 | 4x23 | 295 | 4x23 | 298,5 | 4x23 |

ООО «ТИ-СИСТЕМС» ИНЖИНИРИНГ И ПОСТАВКА ТЕХНОЛОГИЧЕСКОГО ОБОРУДОВАНИЯ

Интернет: www.tisis.ru www.tisis.kz www.tisis.by www.tesec.ru www.ти-системс.рф

Телефоны: +7 (495) 7774788, 7489626, (925) 5007155, 54, 65 Эл. почта: info@tisis.ru info@tisis.kz info@tisis.by



VÁLVULA ALTAS PRESTACIONES PTFE-CF8M CUERPO PARTIDO
HIGH PERFORMANCE VALVE PTFE-CF8M TWO PIECES BODY

Presion De Trabajo Working Pressure: 16BAR

Conexion Bridas Flange Connection: DIN2501-PN10/16-ANSI 150LBS

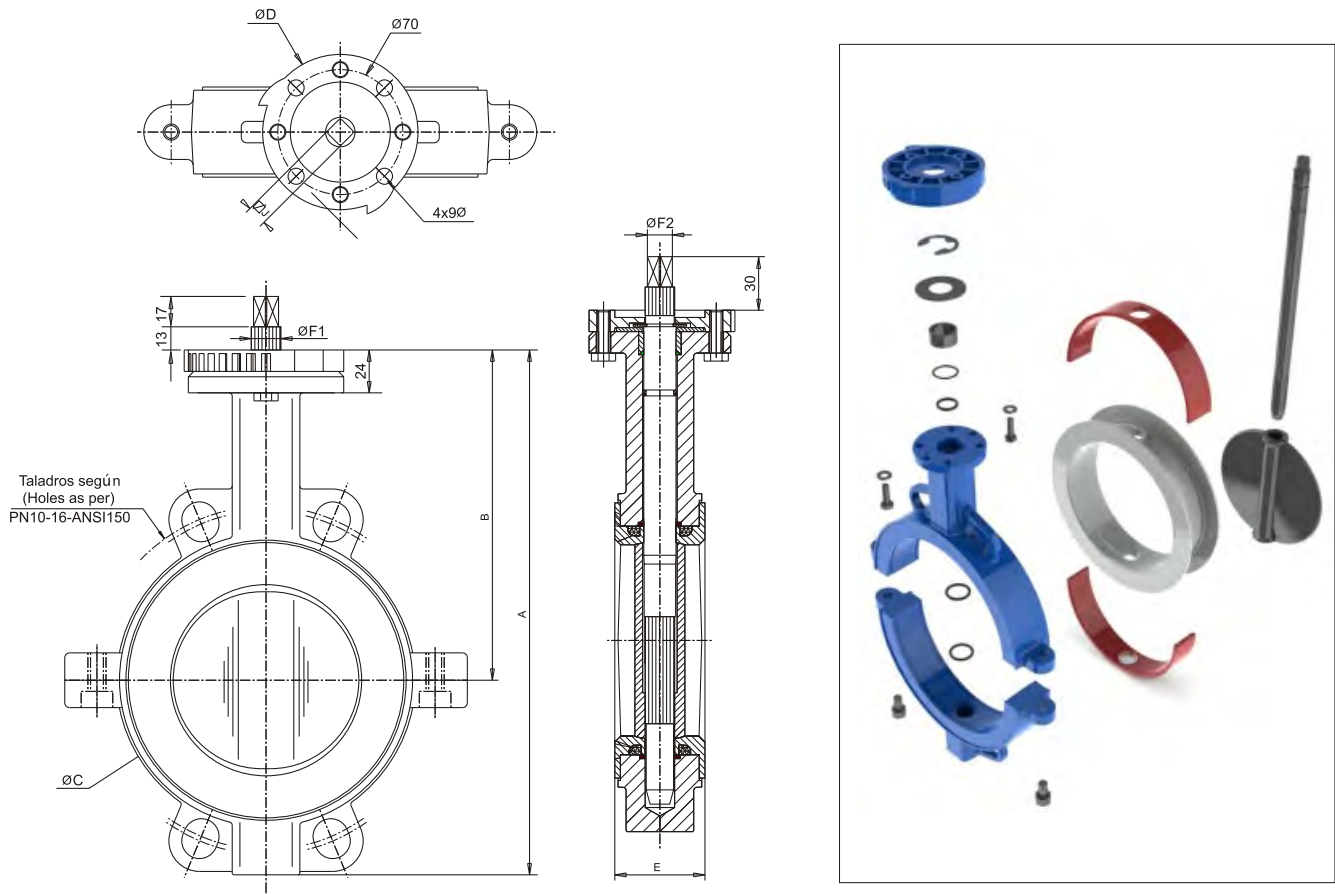
Distancia entre caras Face to Face: ISO 5752 Short, serie 20

BS5155 Wafer Short/medium

DIN 3202 part3, serie K1

Brida Cabeza Top Flange: ISO 5211





PTFE-CF8M CUERPO PARTIDO PTFE-CF8M TWO PIECES BODY

| DIMENSIONES DE LAS VALVULAS VALVES DIMENSIONS | | | | | | | | | | | | PN 10 | | PN 16 | | ANSI150 | |
|--|--------|-----|-----|-----|-----|----|-----|------|----|------|----------------|-------|-------------------|-------|-------------------|---------|-------------------|
| DN | | A | B | C | D | E | F1 | F2 | J | N°XM | PESO WEIGHT | K | TALADROS HOLES | K | TALADROS HOLES | K | TALADROS HOLES |
| MM | " | | | | | | | | | | | | N° x T | | N° x T | | N° x T |
| FIG. 1 DN40-200 | | | | | | | | | | | | | | | | | |
| 40 | 1 1/2" | 205 | 140 | 83 | 88 | 33 | 9,5 | 10,5 | 8 | 4x9 | 2,5 | 110 | 4x18 | 110 | 4x18 | 98,5 | 4x16 |
| 50 | 2" | 226 | 156 | 103 | 88 | 43 | 9,5 | 10,5 | 8 | 4x9 | 4 | 125 | 4x18 | 125 | 4x18 | 120,6 | 4x19 |
| 65 | 2 1/2" | 242 | 161 | 117 | 88 | 46 | 12 | 14,5 | 9 | 4x9 | 4,5 | 145 | 4x18 | 145 | 4x18 | 139,7 | 4x19 |
| 80 | 3" | 262 | 167 | 134 | 88 | 46 | 14 | 16,5 | 11 | 4x9 | 5 | 160 | 4x18 | 160 | 4x18 | 152,4 | 4x19 |
| 100 | 4" | 290 | 184 | 150 | 88 | 52 | 14 | 16,5 | 11 | 4x9 | 6,5 | 180 | 4x18 | 180 | 4x18 | 190,5 | 4x19 |
| 125 | 5" | 326 | 207 | 185 | 105 | 56 | 17 | 18,5 | 14 | 4x9 | 9,5 | 210 | 4x18 | 210 | 4x18 | 215,9 | 4x23 |
| 150 | 6" | 348 | 215 | 205 | 105 | 56 | 17 | 18,5 | 14 | 4x9 | 10,5 | 240 | 4x23 | 240 | 4x23 | 241,3 | 4x23 |
| 200 | 8" | 438 | 257 | 270 | 105 | 60 | 21 | 22,5 | 17 | 4x9 | 17,5 | 295 | 4x23 | 295 | 4x23 | 298,5 | 4x23 |



VÁLVULA ALTAS PRESTACIONES DOBLE EXCENTRICA ANILLO PRFE
HIGH PERFORMANCE VALVE DOUBLE ECCENTRIC RING PTFE

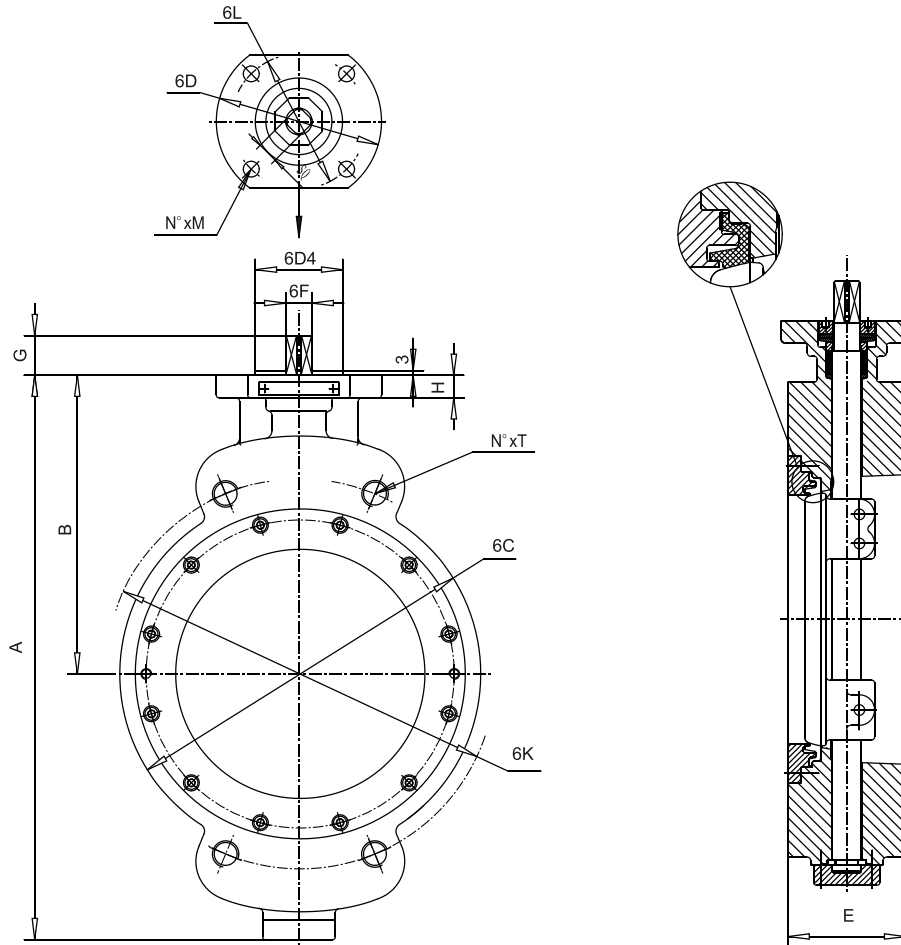
Presion De Trabajo Working Pressure: PN10/16/25 CLASS150

Conexion Bridas Flange Connection: DIN2532/2533/2534 ANSI B16.5

Distancia entre caras Face to face: DIN3202 serie K3

Brida Cabeza Top Flange: ISO 5211





DOBLE EXCENTRICA ANILLO PTFE DOUBLE ECCENTRIC RING PTFE

| DIMENSIONES DE LAS VALVULAS VALVES DIMENSIONS | | | | | | | | | | | | | | PN10 | | PN16 | | PN25 | | CLASS 150 | | |
|--|------|-----|-----|-----|-----|-----|-----|----|----|----|-----|-------|-------|-------------|-------|----------|-------|----------|-----|-----------|-------|-------------|
| | | | | | | | | | | | | | | TALADROS | | TALADROS | | TALADROS | | TALADROS | | |
| DN | NPS | A | B | C | D | D4 | E | F | G | H | L | N° xM | SQ | WT. (KG) | K | K | K | K | | | | |
| | | | | | | | | | | | | | | HOLES | HOLES | HOLES | HOLES | | | | | |
| | | | | | | | | | | | | | | N° xT | N° xT | N° xT | N° xT | | | | | |
| FIG. 1 DN40-200 | | | | | | | | | | | | | | | | | | | | | | |
| 65 | 2.5" | 228 | 126 | 119 | 90 | 50 | 49 | 16 | 30 | 15 | 70 | 4x9 | 11x11 | 5.5 | 145 | 4xM16 | 145 | 4xM16 | 145 | 4xM16 | 139.5 | 4x5/8-11UNC |
| 80 | 3" | 256 | 141 | 132 | 90 | 50 | 64 | 16 | 30 | 15 | 70 | 4x9 | 11x11 | 6.5 | 160 | 4xM16 | 160 | 4xM16 | 160 | 4xM16 | 152.5 | 4x5/8-11UNC |
| 100 | 4" | 282 | 153 | 157 | 90 | 50 | 64 | 16 | 30 | 15 | 70 | 4x9 | 11x11 | 9.5 | 180 | 4xM16 | 180 | 4xM16 | 190 | 4xM20 | 190.5 | 4x5/8-11UNC |
| 125 | 5" | 316 | 167 | 188 | 90 | 50 | 70 | 16 | 30 | 15 | 70 | 4x9 | 14x14 | 14 | 210 | 4xM16 | 210 | 4xM16 | 220 | 4xM24 | 216 | 4x5/8-11UNC |
| 150 | 6" | 358 | 193 | 217 | 125 | 70 | 76 | 20 | 30 | 15 | 102 | 4x12 | 14x14 | 17 | 240 | 4xM20 | 240 | 4xM20 | 250 | 4xM24 | 241.5 | 4x3/4-10UNC |
| 200 | 8" | 427 | 226 | 273 | 125 | 70 | 89 | 20 | 30 | 15 | 102 | 4x12 | 17x17 | 24 | 295 | 4xM20 | 295 | 4xM20 | 310 | 4xM24 | 298.5 | 4x3/4-10UNC |
| 250 | 10" | 501 | 268 | 326 | 150 | 85 | 114 | 25 | 40 | 20 | 125 | 4x14 | 19x19 | 39 | 350 | 4xM20 | 355 | 4xM24 | 370 | 4xM27 | 362 | 4x7/8-9UNC |
| 300 | 12" | 568 | 303 | 381 | 175 | 100 | 114 | 30 | 40 | 20 | 140 | 4x18 | 22x22 | 56 | 400 | 4xM20 | 410 | 4xM24 | 430 | 4xM27 | 432 | 4x7/8-9UNC |